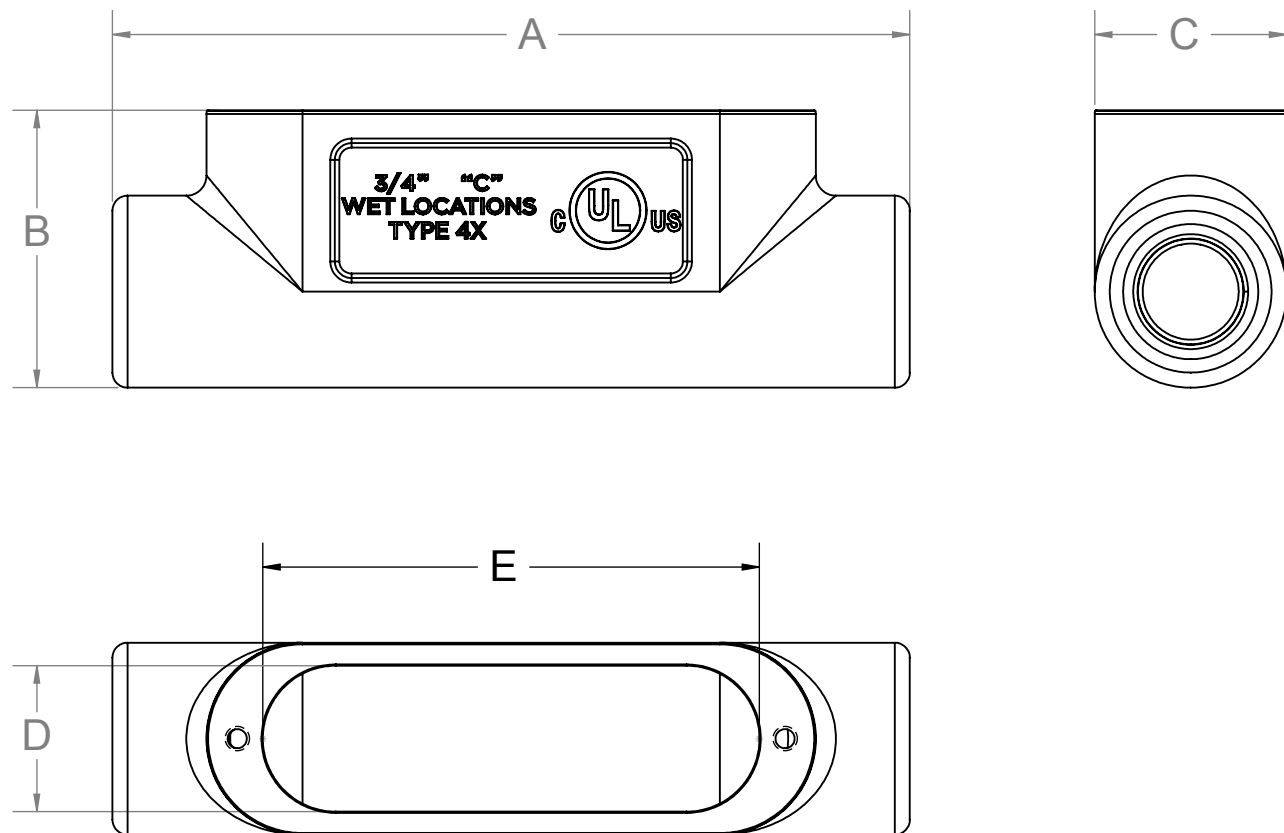
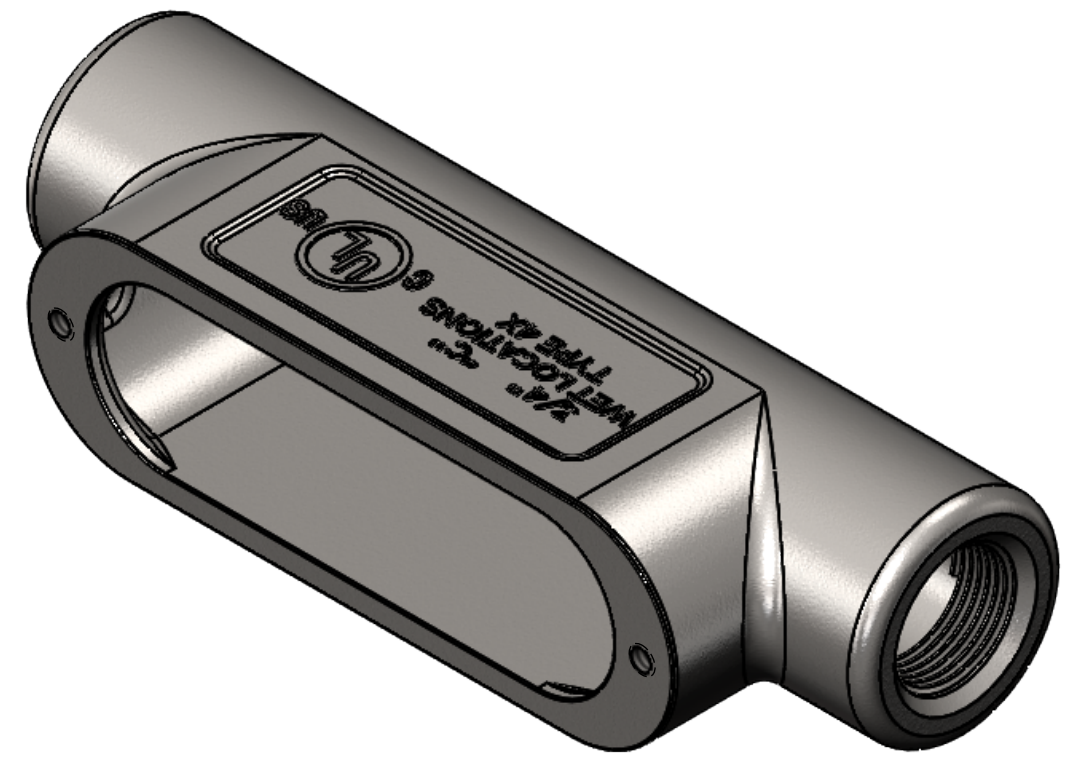


Initial	Date	Note
WAL	9/7/18	DEBURR ALL SHARP EDGES
WAL	9/7/18	THROAT DIMENSIONS TO CONFORM TO TABLE 5 IN UL 514A STANDARD
WAL	9/7/18	NPT ENTRIES SHALL CONFORM TO ANSI/ASME B1.20.1



BODY SIZE	A	B	C	D	E
0.75	6.23	2.17	1.5	1.14	3.89
1.0	7.22	2.38	1.75	1.39	4.88
1.5	8.18	2.59	2.44	1.94	5.82
2.0	9.16	3.13	2.99	2.49	6.80

© COPYRIGHT

TOLERANCE, UNLESS NOTED			REV	DATE	SUMMARY DESCRIPTION OF CHANGES	BY	APP	REV	DATE	SUMMARY DESCRIPTION OF CHANGES	BY	APP	DRAWN WAL	DATE 10/24/18	NOTE: 1) DEBURR ALL SHARP EDGES. 2) MARK FINISHED PARTS WITH PART NUMBER PER WORK ORDER OR PURCHASE ORDER.	TITLE C STYLE CONDUIT BODY			
FRACTION	INCH	MILLIMETER															CHECKED	DATE	APPROVED
			1					7											
			2					8											
X.	+/- 0.100	+/- 3.0	3					9											
X.X	+/- 0.030	+/- 1.0	4					10											
X.XX	+/- 0.03	+/- 0.5	5					11											
X.XXX	+/- 0.005	+/- 0.1	6					12											

NOTICE
THIS DRAWING HAS NOT BEEN PUBLISHED AND IS THE SOLE PROPERTY OF ILS PRODUCTS LLC. IT IS LENT TO THE BORROWER FOR HIS CONFIDENTIAL USE ONLY. IN CONSIDERATION OF THIS LOAN THE BORROWER PROMISES TO RETURN IT UPON REQUEST AND AGREES THAT IT SHALL NOT BE REPRODUCED, COPIED, LENT, OR OTHERWISE DISPOSED OF, DIRECTLY OR INDIRECTLY, NOR USED FOR ANY PURPOSE OTHER THAN THAT FOR WHICH IT IS SPECIFICALLY FURNISHED.

DRAWN	WAL	DATE	10/24/18
CHECKED		DATE	
APPROVED		DATE	
NEXT ASSY		WEIGHT	



ILS PRODUCTS
1910 E. TOM GREEN ST
BRENNHAM TX, 77833

SCALE	1:1.5	DWG. NO.	CCBODY	REV	1
CUSTOMER					