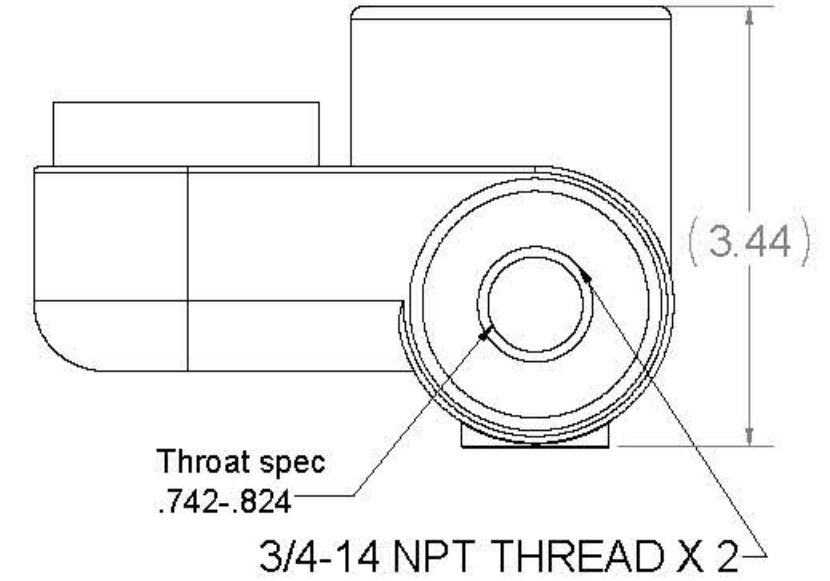
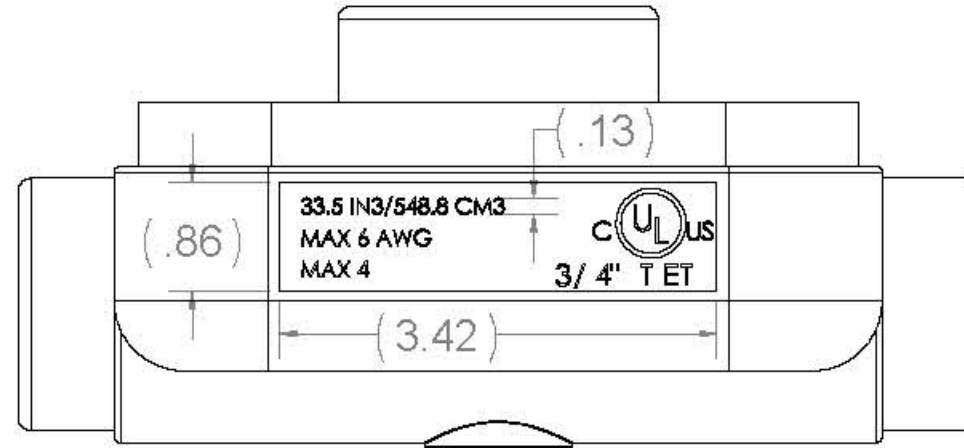
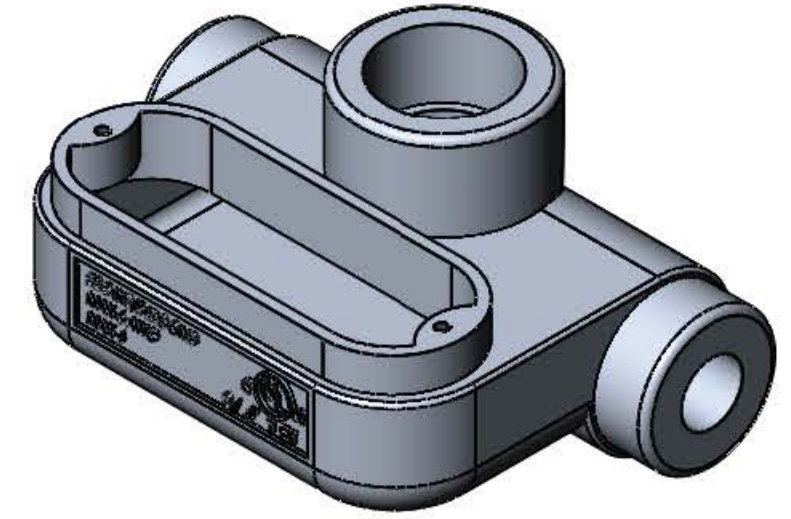
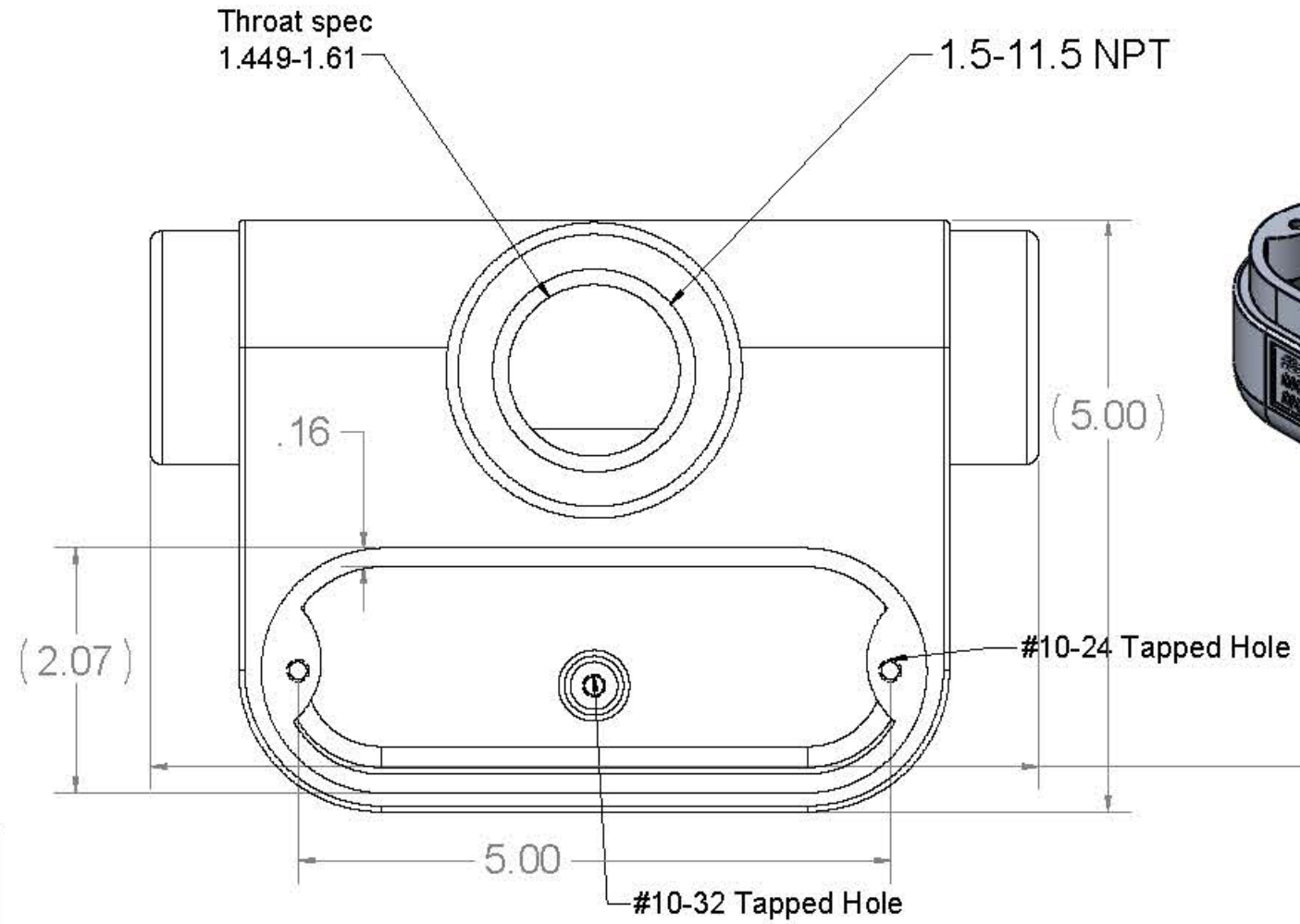
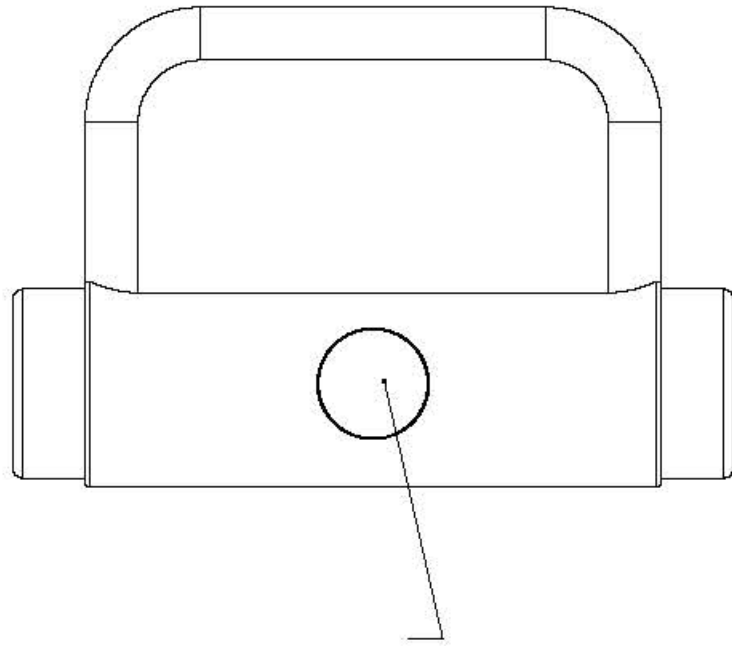


Initial	Date	Note
WAL	9/7/18	DEBURR ALL SHARP EDGES
WAL	9/7/18	ALL NPT THREADS TO CONFORM TO ANSI/ASME B1.20.1



TOLERANCE, UNLESS NOTED			REV	DATE	SUMMARY DESCRIPTION OF CHANGES	BY	APP	REV	DATE	SUMMARY DESCRIPTION OF CHANGES	BY	APP
FRACTION	INCH	MILLIMETER	1					7				
	± 1/32"	N/A	2					8				
X.	± 0.100	± 3.0	3					9				
X.X	± 0.05	± 1.27	4					10				
X.XX	± 0.03	± 0.762	5					11				
X.XXX	± 0.010	± 0.254	6					12				

NOTICE
 THIS DRAWING HAS NOT BEEN PUBLISHED AND IS THE SOLE PROPERTY OF ILS PRODUCTS LLC. IT IS INTENDED FOR INTERNAL USE ONLY. IN NO EVENT SHALL THE COMPANY BE RESPONSIBLE FOR THE REPRODUCTION OR DISTRIBUTION OF THIS DRAWING IN ANY MANNER WITHOUT THE WRITTEN PERMISSION OF ILS PRODUCTS LLC. ANY REPRODUCTION OR DISTRIBUTION OF THIS DRAWING WITHOUT THE WRITTEN PERMISSION OF ILS PRODUCTS LLC IS STRICTLY PROHIBITED.

DRAWN	WAL	DATE	01/30/19
CHECKED	wal	DATE	01/30/19
APPROVED	wal	DATE	02/01/19
SCALE	1:2		

NOTE:
 1) DEBURR ALL SHARP EDGES.
 2) MARK FINISHED PARTS WITH PART NUMBER PER WORK ORDER OR PURCHASE ORDER.



ILS PRODUCTS
 1910 E. TOM GREEN ST
 DENHAM TX, 77833

TITLE	TET AL .75X1.5	
SCALE	1:2	REV
MATERIAL	ALUMINUM	DWG. NO.
		TETAL01
		1