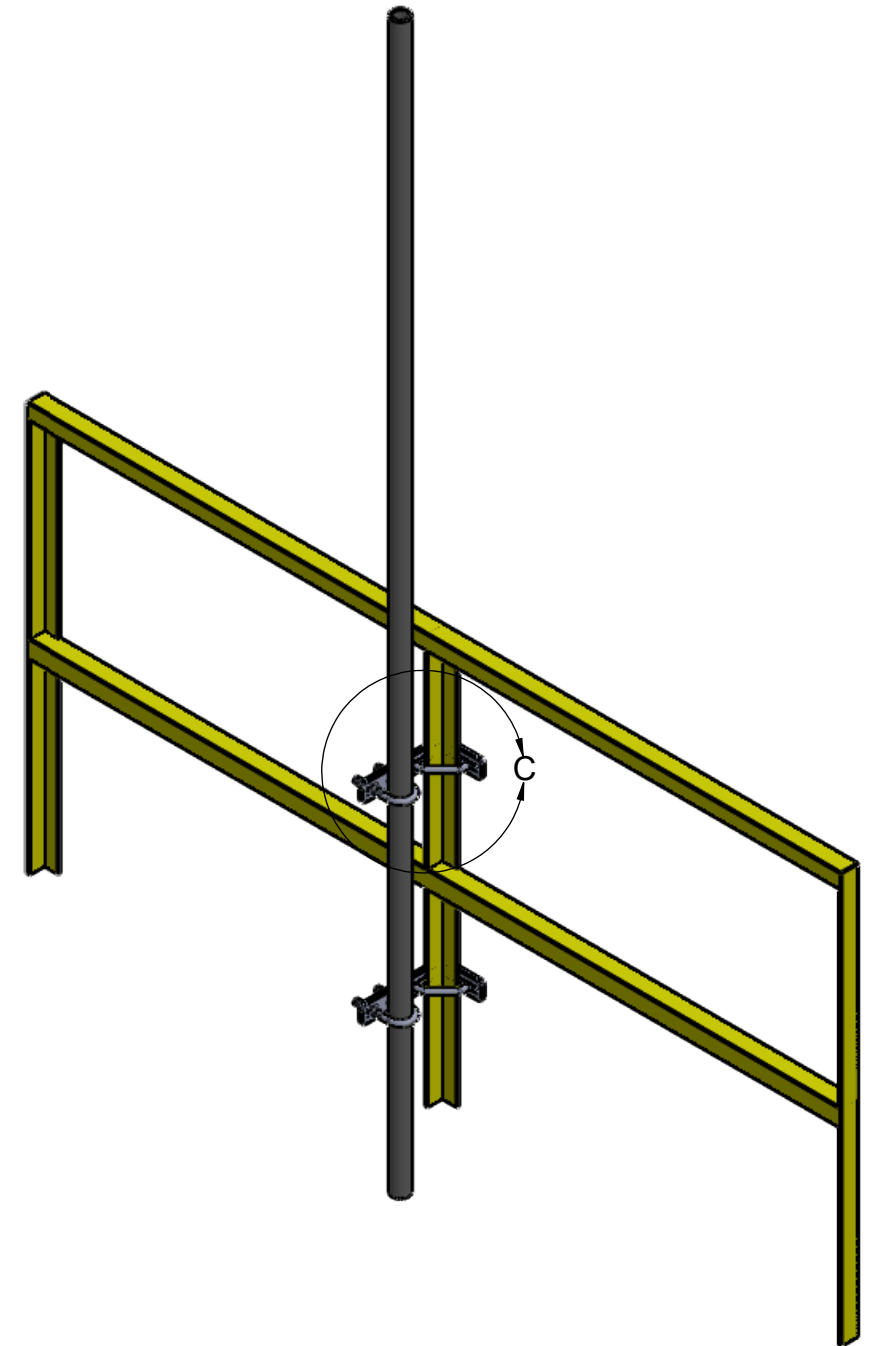


DETAIL C  
SCALE 1 : 4



TOLERANCE, UNLESS NOTED			REV	DATE	SUMMARY DESCRIPTION OF CHANGES	BY	APP	REV	DATE	SUMMARY DESCRIPTION OF CHANGES	BY	APP
	INCH	MILLIMETER	1					7				
FRACTION	+/- 1/32"	N/A	2					8				
X.	+/- 0.100	+/- 3.0	3					9				
X.X	+/- 0.030	+/- 1.0	4					10				
X.XX	+/- 0.01	+/- 0.5	5					11				
X.XXX	+/- 0.005	+/- 0.1	6					12				

**NOTICE**  
THIS DRAWING HAS NOT BEEN PUBLISHED AND IS THE SOLE PROPERTY OF ILS PRODUCTS LLC. IT IS LOANED TO THE BORROWER FOR HIS CONFIDENTIAL USE ONLY. IN CONSIDERATION OF THIS LOAN THE BORROWER PROMISES TO RETURN IT UPON REQUEST AND AGREES THAT IT SHALL NOT BE REPRODUCED, COPIED, LENT, OR OTHERWISE DISPOSED OF, DIRECTLY OR INDIRECTLY, NOR USED FOR ANY PURPOSE OTHER THAN THAT FOR WHICH IT IS SPECIFICALLY FURNISHED.

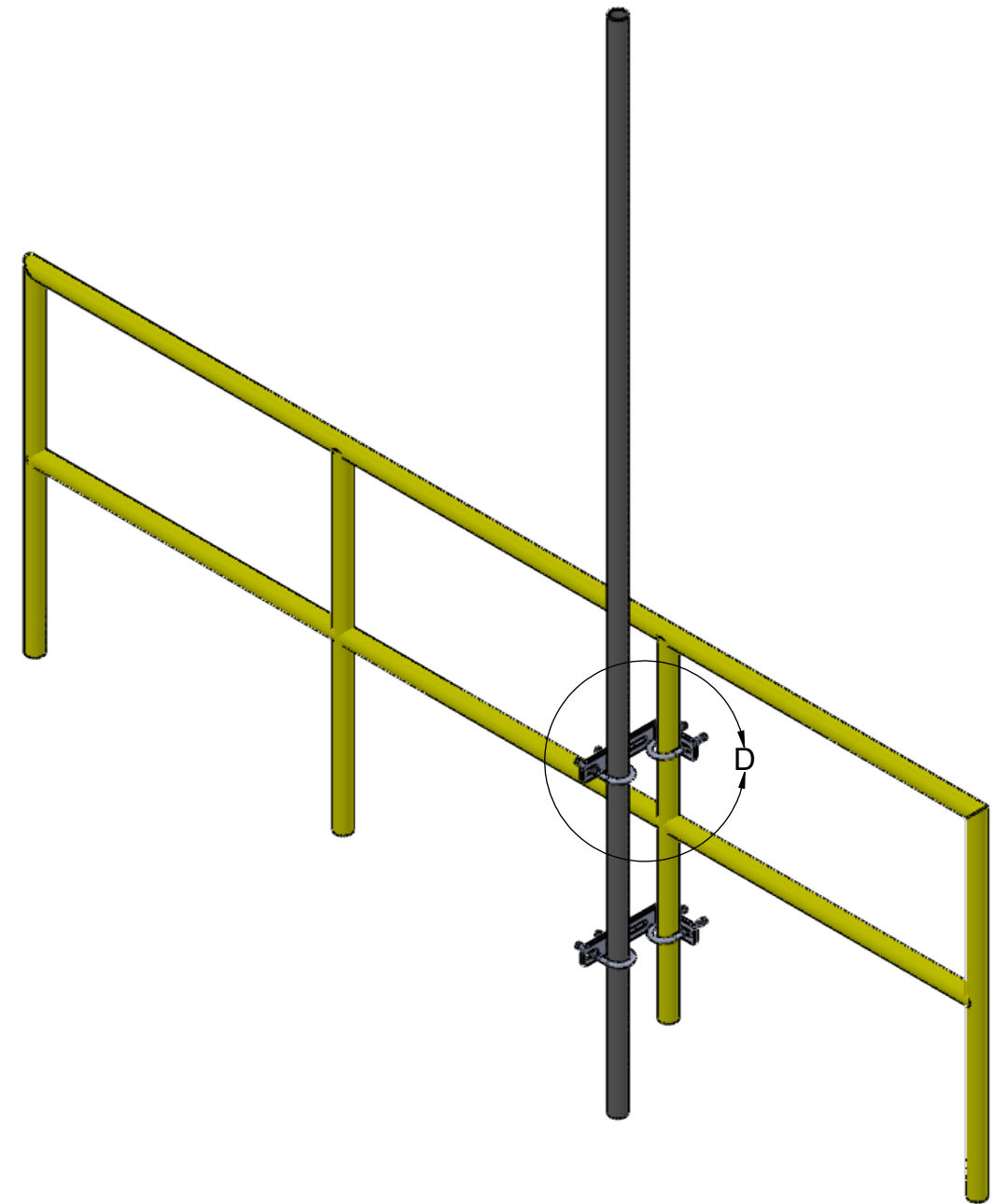
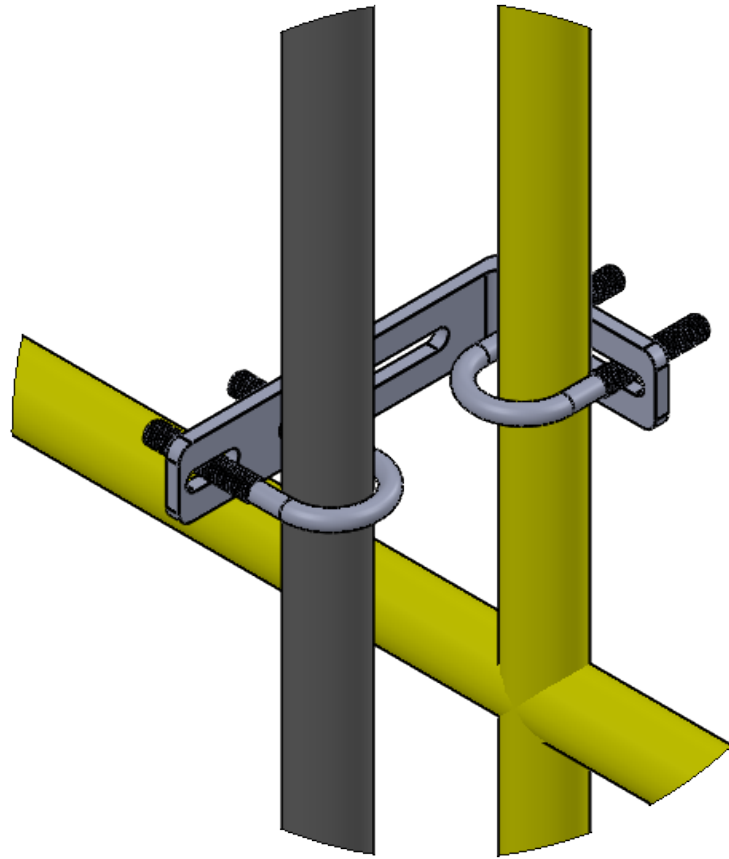
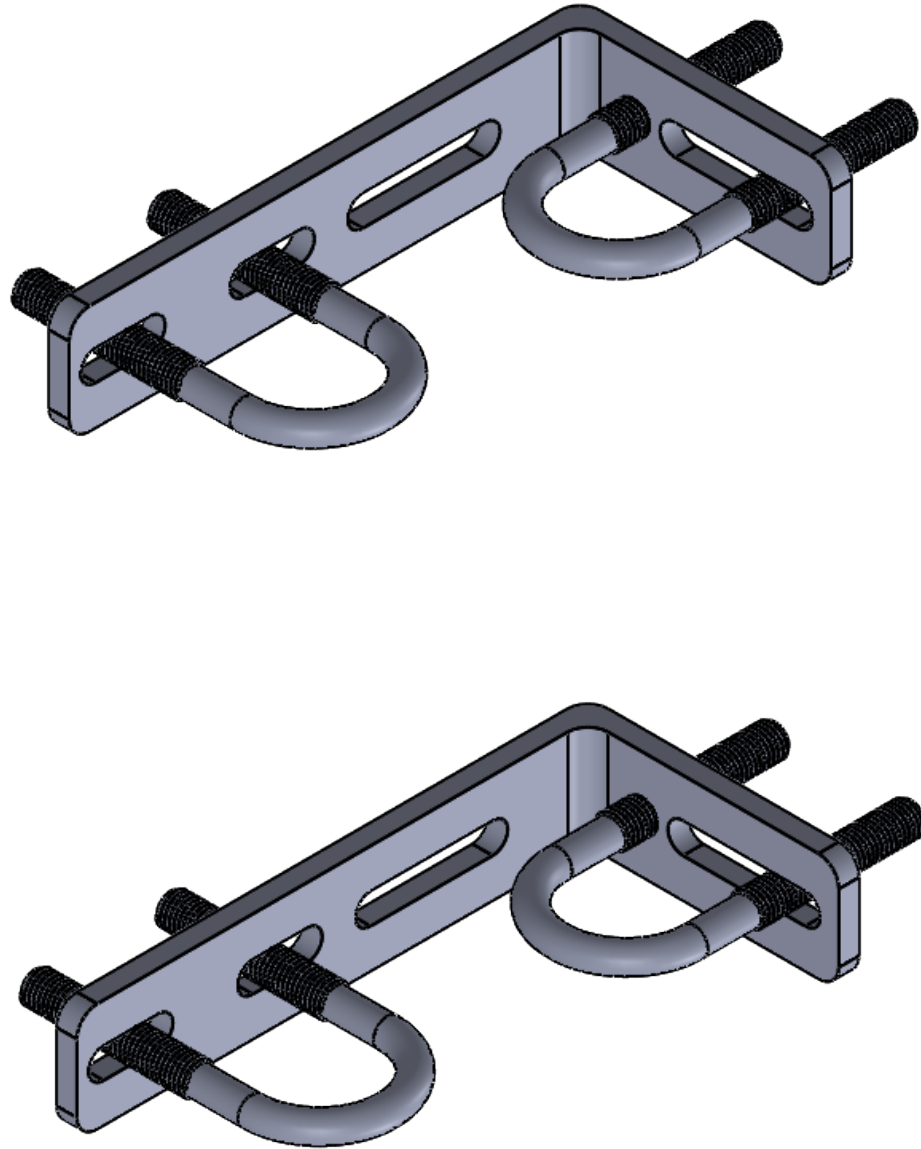
DRAWN	WAL	DATE	05/16/19
CHECKED	AJL	DATE	05/16/19
APPROVED	WAL	DATE	05/16/19
VOLUME		WEIGHT	

NOTE:  
1) DEBURR ALL SHARP EDGES.  
2) MARK FINISHED PARTS WITH PART NUMBER PER WORK ORDER OR PURCHASE ORDER.



ILS PRODUCTS  
1910 E. TOM GREEN ST  
BRENHAM TX, 77833

TITLE		Angle Rail Bracket	
SCALE	1:2	DWG. NO.	ARB-001
Material		REV	1



DETAIL D  
SCALE 1 : 4

TOLERANCE, UNLESS NOTED			REV	DATE	SUMMARY DESCRIPTION OF CHANGES	BY	APP	REV	DATE	SUMMARY DESCRIPTION OF CHANGES	BY	APP
	INCH	MILLIMETER	1					7				
FRACTION	+/- 1/32"	N/A	2					8				
X.	+/- 0.100	+/- 3.0	3					9				
X.X	+/- 0.030	+/- 1.0	4					10				
X.XX	+/- 0.01	+/- 0.5	5					11				
X.XXX	+/- 0.005	+/- 0.1	6					12				

**NOTICE**  
THIS DRAWING HAS NOT BEEN PUBLISHED AND IS THE SOLE PROPERTY OF ILS PRODUCTS LLC. IT IS LOANED TO THE BORROWER FOR HIS CONFIDENTIAL USE ONLY. IN CONSIDERATION OF THIS LOAN THE BORROWER PROMISES TO RETURN IT UPON REQUEST AND AGREES THAT IT SHALL NOT BE REPRODUCED, COPIED, LENT, OR OTHERWISE DISPOSED OF, DIRECTLY OR INDIRECTLY, NOR USED FOR ANY PURPOSE OTHER THAN THAT FOR WHICH IT IS SPECIFICALLY FURNISHED.

DRAWN	WAL	DATE	5/6/19
CHECKED	AJL	DATE	5/6/19
APPROVED	WAL	DATE	5/16/19
VOLUME		WEIGHT	

NOTE:  
1) DEBURR ALL SHARP EDGES.  
2) MARK FINISHED PARTS WITH PART NUMBER PER WORK ORDER OR PURCHASE ORDER.



ILS PRODUCTS  
1910 E. TOM GREEN ST  
BRENHAM TX, 77833

TITLE		Tubular Rail Bracket		SCALE		1:2	DWG. NO.		A-6 TUBE	REV		1
Material												