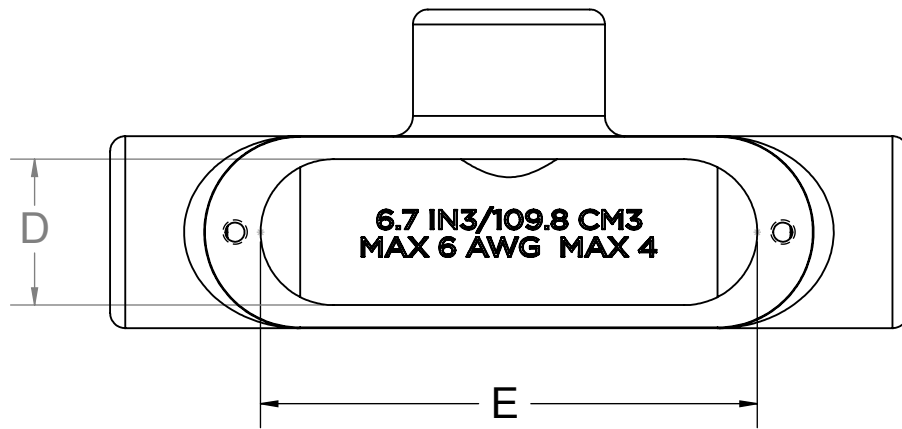
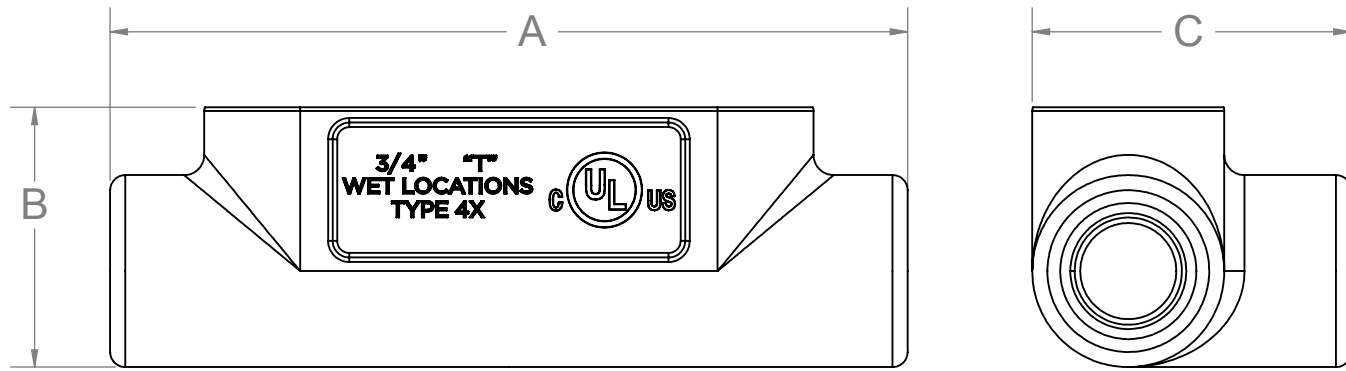
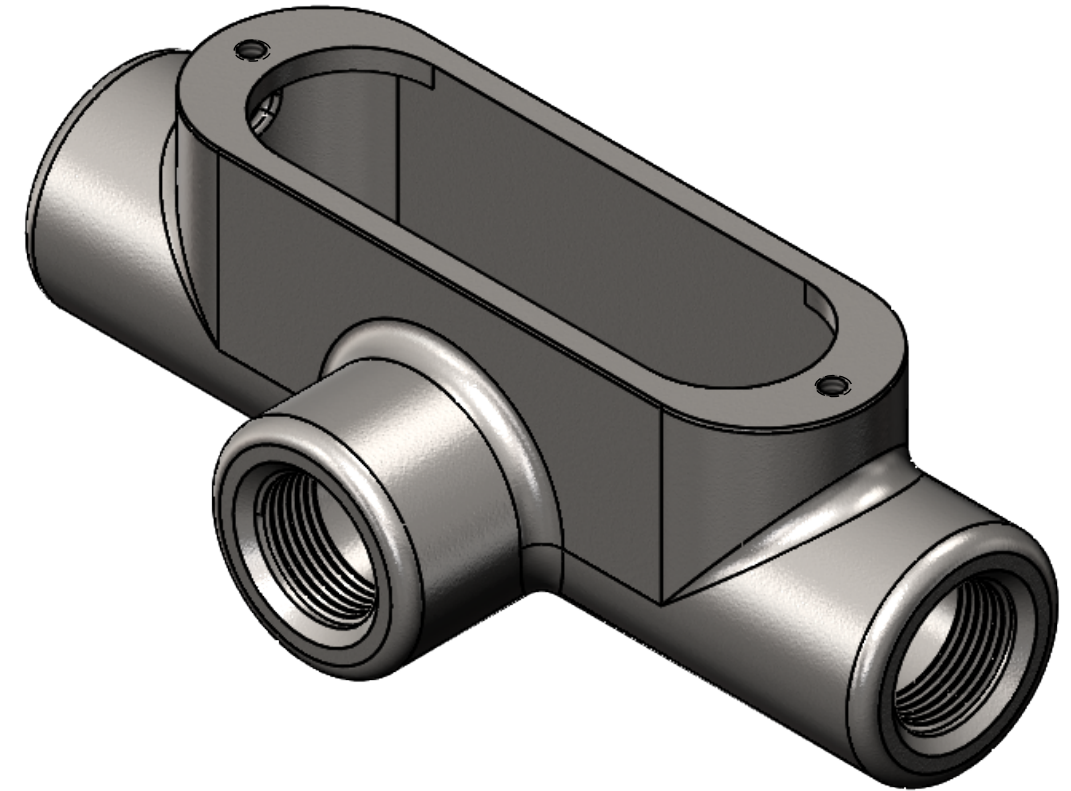


| Initial | Date | Note |
|---------|--------|---|
| WAL | 9/7/18 | DEBURR ALL SHARP EDGES |
| WAL | 9/7/18 | THROAT DIMENSIONS TO CONFORM TO TABLE 5 IN UL 514A STANDARD |
| WAL | 9/7/18 | NPT ENTRIES SHALL CONFORM TO ANSI/ASME B1.20.1 |



| BODY SIZE | A | B | C | D | E |
|-----------|------|------|------|------|------|
| 0.75 | 6.23 | 2.03 | 2.49 | 1.14 | 3.88 |
| 1.0 | 7.22 | 2.30 | 2.88 | 1.39 | 4.86 |
| 1.5 | 8.18 | 2.58 | 3.56 | 1.94 | 5.82 |
| 2.0 | 9.16 | 3.12 | 4.08 | 2.49 | 6.80 |

© COPYRIGHT

| TOLERANCE, UNLESS NOTED | | REV | DATE | SUMMARY DESCRIPTION OF CHANGES | | BY | APP | REV | DATE | SUMMARY DESCRIPTION OF CHANGES | | BY | APP |
|-------------------------|------------|---------|------|--------------------------------|--|----|-----|-----|------|--------------------------------|--|----|-----|
| | INCH | 1 | | | | | | 7 | | | | | |
| | MILLIMETER | 2 | | | | | | 8 | | | | | |
| FRACTION | +/- 1/32" | N/A | 3 | | | | | 9 | | | | | |
| X. | +/- 0.100 | +/- 3.0 | 4 | | | | | 10 | | | | | |
| X.X | +/- 0.030 | +/- 1.0 | 5 | | | | | 11 | | | | | |
| X.XX | +/- 0.01 | +/- 0.5 | 6 | | | | | 12 | | | | | |
| X.XXX | +/- 0.005 | +/- 0.1 | | | | | | | | | | | |

| | | | |
|--|---|--|---|
| <p>NOTICE</p> <p>THIS DRAWING HAS NOT BEEN PUBLISHED AND IS THE SOLE PROPERTY OF ILS PRODUCTS LLC. IT IS LENT TO THE BORROWER FOR HIS CONFIDENTIAL USE ONLY. IN CONSIDERATION OF THIS LOAN THE BORROWER PROMISES TO RETURN IT UPON REQUEST AND AGREES THAT IT SHALL NOT BE REPRODUCED, COPIED, LENT, OR OTHERWISE DISPOSED OF, DIRECTLY OR INDIRECTLY, NOR USED FOR ANY PURPOSE OTHER THAN THAT FOR WHICH IT IS SPECIFICALLY FURNISHED.</p> | <p>DRAWN: WAL DATE: 10/24/18</p> <p>CHECKED: DATE:</p> <p>APPROVED: DATE:</p> <p>NEXT ASSY: WEIGHT:</p> | <p>NOTE:</p> <p>1) DEBURR ALL SHARP EDGES. 2) MARK FINISHED PARTS WITH PART NUMBER PER WORK ORDER OR PURCHASE ORDER.</p> | <p>TITLE</p> <p>T STYLE CONDUIT BODY</p> |
| <p>ILS PRODUCTS</p> <p>1910 E. TOM GREEN ST</p> <p>BRENHAM TX, 77833</p> | <p>SCALE: 1:1.5</p> <p>CUSTOMER:</p> | <p>DWG. NO. CTBODY</p> <p>REV 1</p> | |